

Clarke®



12LTR TROLLEY HAND SPRAYER MODEL: 12LST

PART NO: 3402235

USER INSTRUCTIONS

ORIGINAL INSTRUCTIONS

GC0718 ISS1

INTRODUCTION

Thank you for purchasing this CLARKE Sprayer, designed only for use with insecticides or other water-based products.

Before attempting to use this product, please read this manual thoroughly and follow the instructions carefully. In doing so you will ensure the safety of yourself and that of others around you, and you can look forward to your purchase giving you long and satisfactory service.

GUARANTEE

This product is guaranteed against faulty manufacture for a period of 12 months from the date of purchase. Please keep your receipt which will be required as proof of purchase.

This guarantee is invalid if the product is found to have been abused or tampered with in any way, or not used for the purpose for which it was intended.

Faulty goods should be returned to their place of purchase, no product can be returned to us without prior permission.

This guarantee does not effect your statutory rights.

GENERAL SAFETY PRECAUTIONS

1. Never use this sprayer to store or spray flammable solvent-based chemicals.
2. Empty the contents if the sprayer is not to be used for long periods.
3. If insecticide is being sprayed, always wear a protective mask, safety glasses, footwear, overalls and gloves to protect the skin and face. Never spray chemical products facing into the wind.
4. Never spray pesticide towards other people, animals or foodstuffs.
5. Never use the sprayer for handling hot liquids and avoid operating in excessively hot environments.
6. Always comply with any applicable insecticide manufacturers safety instructions/directives before use.
7. Stop using the sprayer if the container or hose is found to be damaged.
8. Always ensure all hose and lance connections are tight and leak-free.

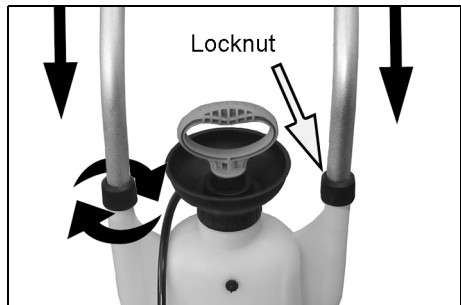
SPECIFICATION

Overall Size	630 x 600 x 700 mm
Weight	3.8 kg
Rated Volume	12 Litres
Pressure	3 bar
Hose Length	2.5 m
Flow rate	0.32 - 0.36 L/min (2 bar)

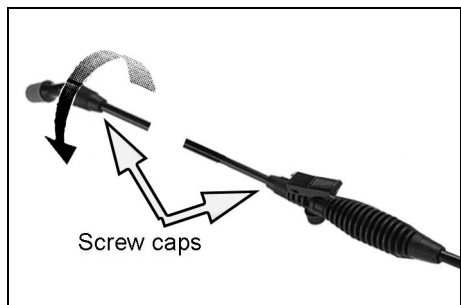
Please note that the details and specifications contained herein, are correct at the time of going to print. However, CLARKE International reserve the right to change specifications at any time without prior notice.

ASSEMBLY

1. Insert the pulling handle into the two holes on both sides of the tank and adjust to the required height, Tighten the locknut on each side to secure the handle.

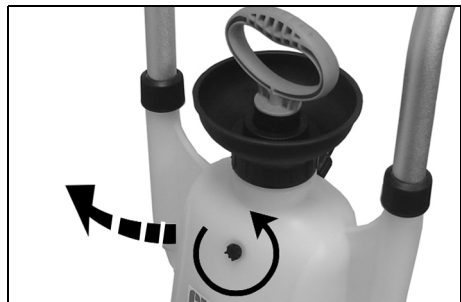
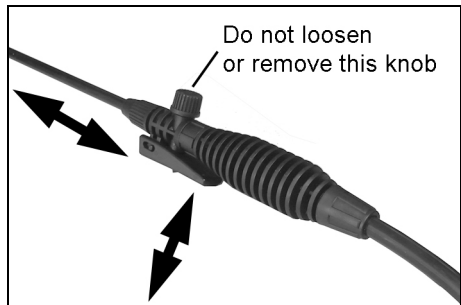
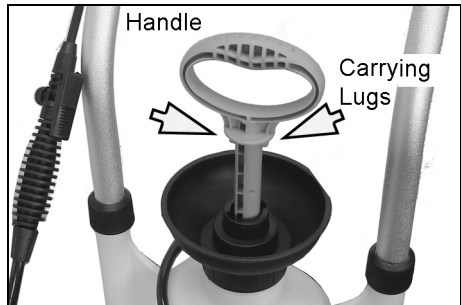


2. Push the lance into the spray gun assembly and secure with the screw cap.
3. Attach the nozzle to the other end of the lance and secure with the screw cap.
4. Do not over tighten at either end, leaving a small gap between the screw cap and nozzle or spray gun.



OPERATION

1. Unscrew the handle and pump assembly in order to fill the container with the desired liquid.
2. Screw the pump and handle assembly back on firmly.
3. Release the carrying lugs from the pump body by twisting the handle anticlockwise.
4. Pressurise the container by pumping the handle.
5. Squeeze the trigger to begin spraying. When the spray weakens, pump the handle to re-pressurise the container.
6. Push the trigger forward to lock in position & maintain a constant spray without needing to hold the trigger. Slide the trigger back to release.
7. Adjust the width of the spray by twisting the tip of the nozzle.
8. Pump the operating handle when necessary to maintain pressure.
 - If leaks or poor delivery occurs, check the hose connections.
9. Push the pump handle downward and twist left or right to engage the carrying lugs in the cap when lifting the unit.
10. When not in use, clip the spray lance to the side of the pulling handle.
11. If a hissing sound is heard from the relief valve, the valve has reached its operating limit and is venting to prevent damage to the sprayer.
12. At the end of spraying, relieve tank air pressure by unscrewing the relief valve.



AFTER USE

After use, the sprayer should be flushed thoroughly with clean water to avoid the possibility of blockages from product residue, or any cross-contamination between different products.

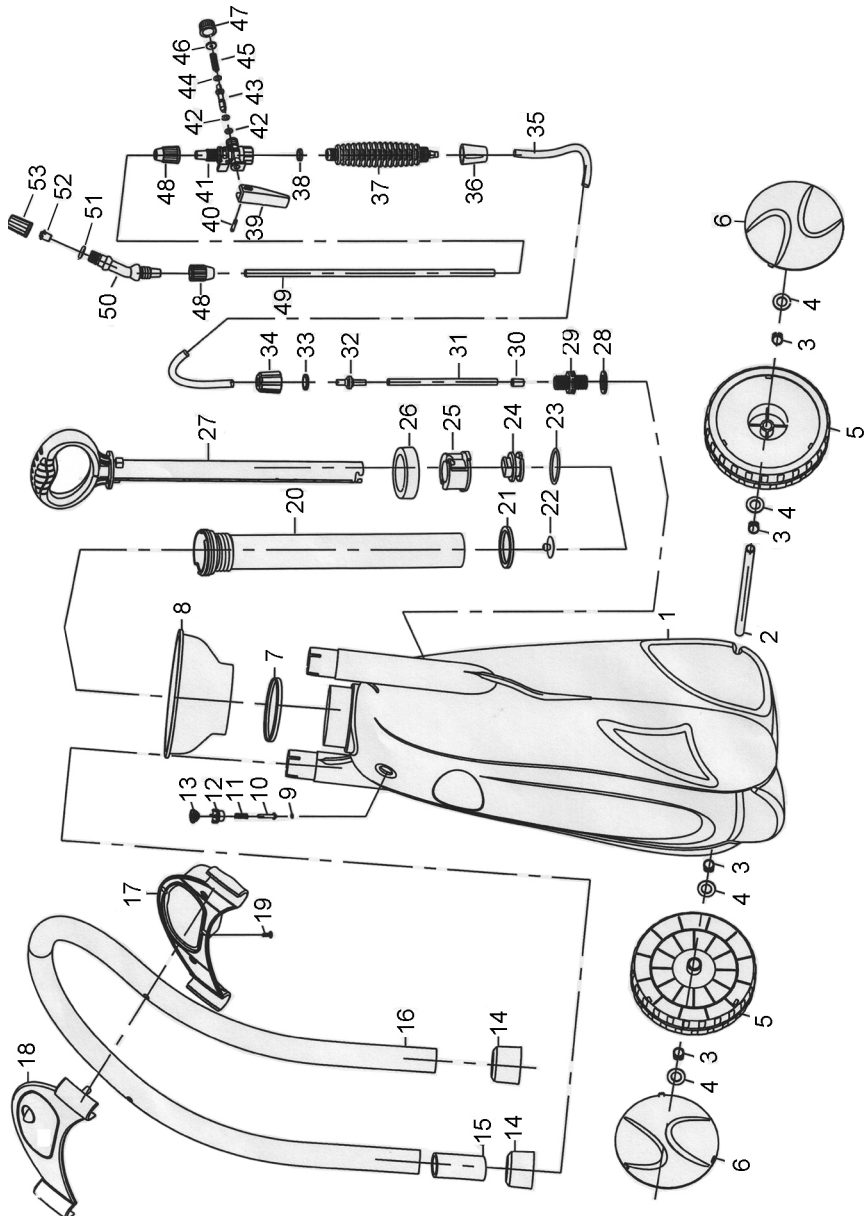
If not used for long periods or used continuously for several days, add a light smear of vaseline to the sealing washers and moving parts to reduce wear and assist free movement.

Always release any pressure before storage.

FAULTFINDING

Symptom	Cause	Remedy
Poor delivery and leaking lance.	Loose connections or damaged connecting o-rings.	Inspect condition of connecting o-rings & replace if necessary.
Extra high pumping pressure.	Spray head is blocked. Poor lubrication of piston o-ring. Extra high pressure in tank.	Clean out the spray head. Remove piston and apply vaseline to piston o-ring. Check the relief valve for possible jamming of the spring & piston.
Very low pumping pressure.	Piston o-ring is worn or damaged.	Replace piston o-ring.
Sprayer only discharges air without water.	The suction hose in the tank may have come off.	Unscrew the hose connector from the tank. Locate the loose suction hose inside the tank and re-fit to the connector assembly, tightening securely.

COMPONENT PARTS



COMPONENT PARTS

No	Description
1	Tank
2	Axle
3	Circlip
4	Washer
5	Wheel
6	Wheel Cover
7	Sealing Ring
8	Funnel
9	Relief valve O-ring
10	Relief valve plug
11	Relief valve spring
12	Relief valve seat
13	Relief valve cap
14	Handle lock nut
15	Handle cover
16	Pulling handle
17	Lower compartment cover
18	Upper compartment cover
19	Self-tapping screw
20	Pump cylinder
21	Sealing ring
22	Waterproof washer
23	Piston O-ring
24	Piston
25	Guide seat
26	Pump nut
27	Handle

No	Description
28	Gasket
29	Outlet coupling
30	Filter screen
31	Suction hose
32	Coupler
33	Flat washer
34	Hose cap B
35	Hose
36	Hose cap A
37	Spray gun handle
38	Sealing ring
39	Trigger
40	Pivot pin
41	Spray gun body
42	Valve sealing ring
43	Valve plunger
44	Valve sealing ring
45	Spring
46	Sealing ring
47	Retaining nut
48	Screw cap
49	Spray lance tube
50	Nozzle elbow
51	O-ring
52	Swirl core
53	Spray head cap

A SELECTION FROM THE VAST RANGE OF

Clarke®

QUALITY PRODUCTS

AIR COMPRESSORS

From DIY to industrial, Plus air tools, spray guns and accessories.

GENERATORS

Prime duty or emergency standby for business, home and leisure.

POWER WASHERS

Hot and cold, electric and engine driven - we have what you need

WELDERS

Mig, Arc, Tig and Spot. From DIY to auto/industrial.

METALWORKING

Drills, grinders and saws for DIY and professional use.

WOODWORKING

Saws, sanders, lathes, mortisers and dust extraction.

HYDRAULICS

Cranes, body repair kits, transmission jacks for all types of workshop use.

WATER PUMPS

Submersible, electric and engine driven for DIY, agriculture and industry.

POWERTOOLS

Angle grinders, cordless drill sets, saws and sanders.

STARTERS/CHARGERS

All sizes for car and commercial use.



PARTS & SERVICE: 0208 988 7400

E-mail: Parts@clarkeinternational.com or Service@clarkeinternational.com

SALES: UK 01992 565333 or Export 00 44 (0)1992 565335

Clarke® INTERNATIONAL Hemnall Street, Epping, Essex CM16 4LG
www.clarkeinternational.com